



Glass railing system

## GS Railing



### System features

- / four types of base profile, designed to top, side, edge and side edge assembly, depending on the project,
- / guaranteed stability and strength – glass fitted with special glass wedges and pads,
- / quick and easy installation - placement and fixing of the glass from the inner side,
- / system tested in the Building Research Institute for resistance to load of horizontal linear forces and pendulum impact resistance according to DIN 18008-4,
- / the possibility to use any type of handrail on the top edge of the glass – e.g. stainless steel, aluminium or wood.



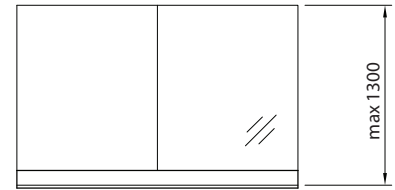
# GS Railing

## Specification

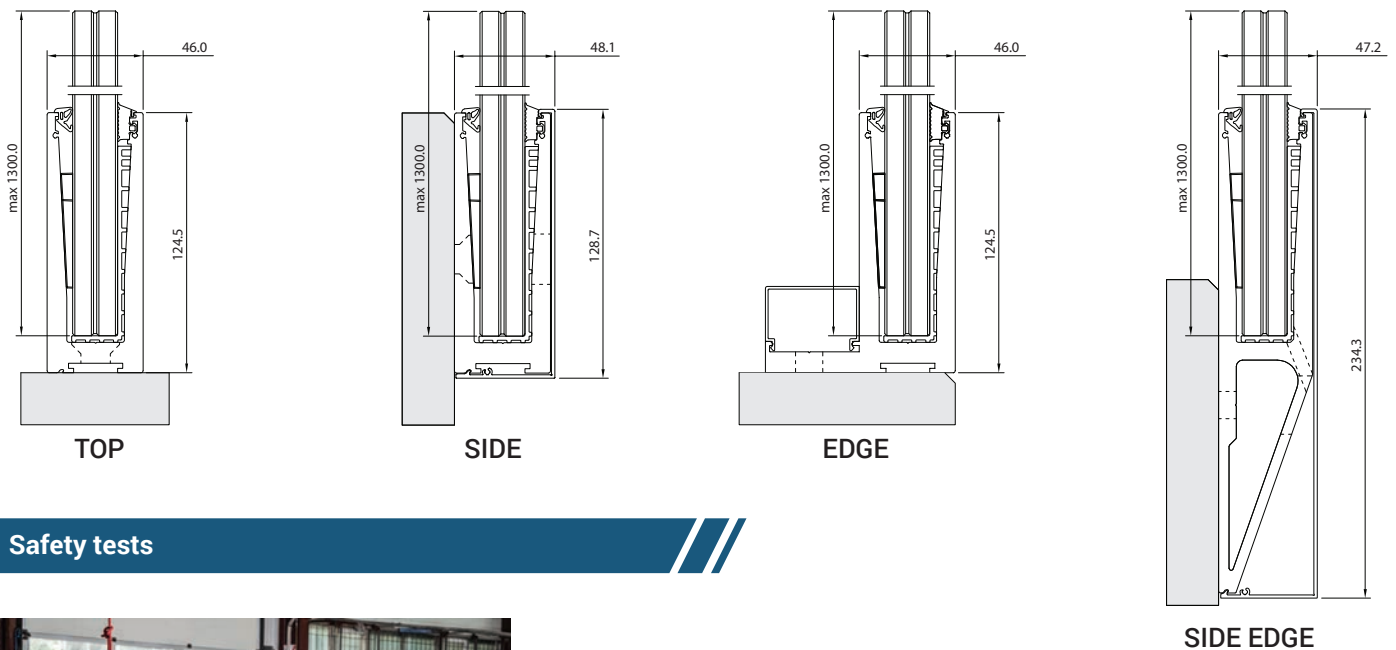
<b>Category of space</b>	A, B, C*, D,
<b>Strength</b>	1,0 kN/m
<b>Type of glass</b>	VSG ESG 88.2, 88.4, 1010.2, 1010.4**
<b>Max. height (mm)</b>	1300
<b>Material/finish</b>	Anodized aluminium / RAL aluminium
<b>Approval document</b>	individual documentation

\* except C5 (public areas susceptible to large crowd)

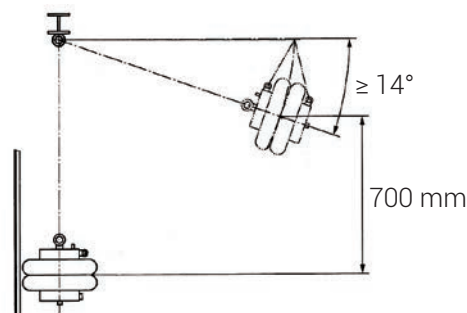
\*\* other glass thickness on request



## Technical drawings



## Safety tests



## Material and finish



**Alu E2/C-0 silver anod.**



**Alu E2/inox anod. polished**



**Alu RAL**

E2 - brushed surface / pre-treatment according to DIN 17611

C-0, C-31, C-35 - anodized surface color according to EURAS color swatch